

DEVILBISS

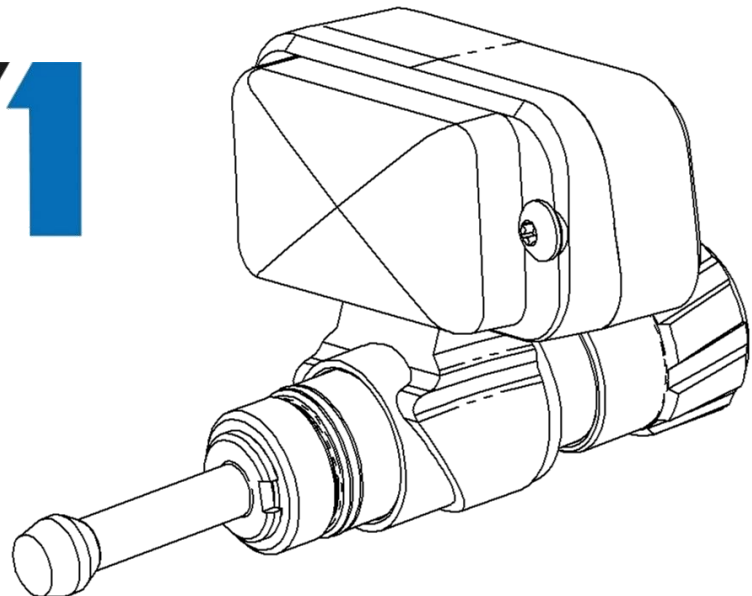
704426 (DGIPRO-505)

DV1 Spraygun

ATEX approved Digital Pressure Gauge

CE  II 2 G X

DV1



RoHS2
2011/65/EU

IMPORTANT! DO NOT DESTROY

It is the Customer's responsibility to have all operators and service personnel read and understand this manual.

Contact your local Carlisle Fluid Technologies representative for additional copies of this manual.

READ ALL INSTRUCTIONS BEFORE OPERATING THIS PRODUCT.

FUNCTIONAL DESCRIPTION

The DGIPRO-505 Digital Pressure Gauge is an intrinsically safe device, approved to ATEX regulations 2014/34/EU, protection level; II 2 G Ex ia IIC T4 Gb, suitable for use in zones 1 and 2.

The gauge is either supplied as a retrofit kit to existing DV1 sprayguns, or factory installed.

The gauge is powered by a long life battery and has a life expectancy of 2 years under normal shift working conditions (following a max. 2 year shelf life).

SPECIFICATIONS

AIR INLET PRESSURES

P1 = Max Static Air Input Pressure	7 bar [100 psi]
------------------------------------	-----------------

ENVIRONMENTAL

Max Ambient Operating Temperature	40°C Nominal [104°F]
-----------------------------------	----------------------

MATERIALS OF CONSTRUCTION

HOUSING	Die Cast Aluminium, Chrome Plated
WINDOW	Toughened Glass
VALVE PARTS	Chrome Plated Brass & Anodised Aluminium

WEIGHT

GAUGE ONLY	72g
------------	-----

DIMENSIONS

L x H x W mm [inches]	81 x 49 x 42 [3.2 x 1.9 x 1.65]
-----------------------	---------------------------------

Product Description / Object of Declaration: DGIPRO, DGIPRO POD

This Product is designed for use with: Solvent and water based materials

Suitable for use in hazardous area: Zone 1 / Zone 2

Protection Level: II 2 G Ex ia IIC T4 Gb

Notified body details and role: Element Materials Technology (0891)
EU Type examination and issuing Certificate
EMT16ATEX0062X

This Declaration of conformity / incorporation is issued under the sole responsibility of the manufacturer: Carlisle Fluid Technologies UK Ltd,
Ringwood Road,
Bournemouth, BH11 9LH. UK

EU Declaration of Conformity



The object of the declaration described above is in conformity with the relevant Union harmonisation legislation:

ATEX Directive 2014/34/EU

EMC Directive 2014/30/EU

RoHS Directive 2011/65/EU

by complying with the following statutory documents and harmonised standards:

EN 60079-11:2012 Explosive atmospheres Equipment protection by intrinsic safety "i"

EN 60079-0:2012 Explosive atmospheres - Equipment. General requirements

EN 60079-1:2014 Explosive atmospheres - Equipment protection by flameproof enclosures "d"

EN 61000-6-1:2007 Electromagnetic Compatibility Generic Standards Immunity for residential/commercial/light industry environments

EN 61000-6-3:2007+A1:2011 Electromagnetic Compatibility Generic Standards Emission standard for residential/commercial/light industry environments

Providing all conditions of safe use / installation stated within the product manuals have been complied with and also installed in accordance with any applicable local codes of practice.

Signed for and on behalf of Carlisle Fluid
Technologies UK Ltd:

D Smith
13/3/17

Director of Sales (EMEA)

In this part sheet, the words WARNING, CAUTION and NOTE are used to emphasise important safety information as follows:

EN

 WARNING	 CAUTION	NOTE
Hazards or unsafe practices which could result in severe personal injury, death or substantial property damage.	Hazards or unsafe practices which could result in minor personal injury, product or property damage.	Important installation, operation or maintenance information.
 WARNING		

Read the following warnings before using this equipment.



SOLVENTS AND COATING MATERIALS. Can be highly flammable or combustible when sprayed. Always refer to the coating material supplier's instructions and safety sheets before using this equipment.



INSPECT THE EQUIPMENT DAILY. Inspect the equipment for worn or broken parts on a daily basis. Do not operate the equipment if you are uncertain about its condition.



READ THE MANUAL. Before operating finishing equipment, read and understand all safety, operation and maintenance information provided in the operation manual. Users must comply with all local and national codes of practice and insurance company requirements governing ventilation, fire precautions, operation and house-keeping of working areas.



EQUIPMENT MISUSE HAZARD. Equipment misuse can cause the equipment to rupture, malfunction or start unexpectedly and result in serious injury.



FIRE AND EXPLOSION HAZARD. Never use 1,1,1-Trichloroethane, Methylene Chloride, other Halogenated Hydrocarbon solvents or fluids containing such solvents in equipment with aluminium wetted parts. Such use could result in a serious chemical reaction, with the possibility of explosion. Consult your fluid suppliers to ensure that the fluids being used are compatible with aluminium parts.



GLOVES. Must be worn when spraying or cleaning the equipment.



WEAR SAFETY GLASSES. Failure to wear safety glasses with side shields could result in serious eye injury or blindness.



STATIC CHARGE. Fluid may develop a static charge that must be dissipated through proper grounding of the equipment, objects to be sprayed and all other electrically conductive objects in the dispensing area. Improper grounding or sparks can cause a hazardous condition and result in fire, explosion or electric shock and other serious injury.



WEAR RESPIRATOR. The use of respiratory protective equipment is recommended at all times. The type of equipment must be compatible with the material being sprayed.



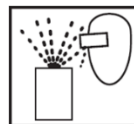
TOXIC VAPOURS. When sprayed, certain materials may be poisonous, create irritation, or are otherwise harmful to health. Always read all labels, safety sheets and follow any recommendations for the material before spraying. If in doubt contact your material supplier.



NEVER MODIFY THE EQUIPMENT. Do not modify the equipment unless the manufacturer provides written approval.



LOCK OUT / TAG-OUT. Failure to de-energise, disconnect, lock out and tag-out all power sources before performing equipment maintenance could cause serious injury or death.



PROJECTILE HAZARD. You may be injured by venting liquids or gases that are released under pressure, or flying debris.



NOISE LEVELS. The A-weighted sound level of pumping and spray equipment may exceed 85 dB(A) depending on equipment settings. Actual noise levels are available on request. It is recommended that ear protection is worn at all times while equipment is in use.



PRESSURE RELIEF PROCEDURE. Always follow the pressure relief procedure in the equipment instruction manual.



KNOW WHERE AND HOW TO SHUT OFF THE EQUIPMENT IN CASE OF AN EMERGENCY.



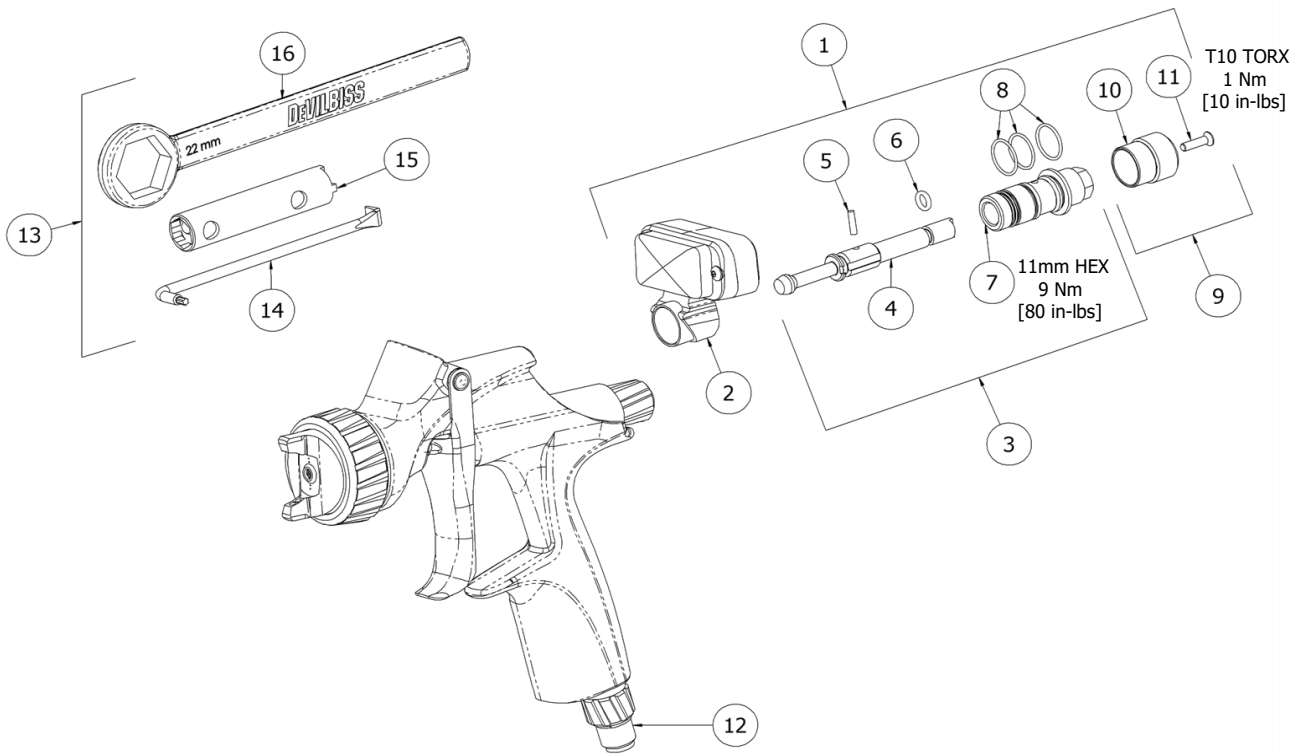
HIGH PRESSURE CONSIDERATION. High pressure can cause serious injury. Relieve all pressure before servicing. Spray from the gun, hose leaks or ruptured components can inject fluid into your body and cause extremely serious injury.



OPERATOR TRAINING. All personnel must be trained before operating finishing equipment.

IT IS THE RESPONSIBILITY OF THE EMPLOYER TO PROVIDE THIS INFORMATION TO THE OPERATOR OF THE EQUIPMENT.

EXPLODED VIEW



PARTS LIST

REF.	PART No.	DESCRIPTION	QTY.
1	704426	DIGITAL GAUGE ASSEMBLY	1
2	-	GAUGE MODULE	1
3	704420	DIGITAL GAUGE SPREADER VALVE	1
4	-	AIR VALVE STEM	1
5	-	SPREADER VALVE PIN	1
6	-	O RING	1
7	-	VALVE BODY	1
8	-	O RING	3
9	704421	KNOB AND SCREW KIT	1
10	-	VALVE ADJUSTING KNOB	1
11	-	SCREW	1
12	704417	AIRFLOW VALVE	1
13	704429	TOOL KIT	1
14	-	TOOL	1
15	-	TOOL	1
16	-	TOOL	1

**CAUTION****NOTE**

- The digital gauge is suitable for use with both waterbased and solvent based coating materials.
- It is not designed for use with highly corrosive and/or abrasive materials.
- To avoid premature degradation of parts, DeVilbiss recommends that the digital gauge is washed in neutral cleaning solution [pH 6 to 8].
- It is not designed to be cleaned within an ultrasonic bath.

If there is any doubt regarding the suitability of a specific material, contact your DeVilbiss Distributor or DeVilbiss direct.

**CAUTION**

- Do not attempt to dismantle the gauge under any circumstances.
The battery is not replaceable.
- When the battery is discharged, the complete gauge assembly must be replaced.
Do not attempt to dismantle or service the gauge.
- The gauge must be connected to a hose made from a conductive material and must be connected to earth with a resistance of less than $1M\Omega$ to minimise the risk of static electricity from air and/or fluids passing through it.
- The fitting of non-original spares may create hazards.
Use only spares and accessories as detailed in this bulletin.
- The maximum static inlet pressure of 7 bar [100 psi] must not be exceeded (see specification).

Exceeding this may result in injury to the user.
- If the gauge is physically damaged under any circumstances, stop using immediately.
- If the plating is damaged and exposes the base metal, do not use in a hazardous (zoned) area.
- Do not use or store below 0°C [32°F].
- The product may be cleaned using a gun washing machine.
However, please consult with the manufacturer on suitability.

START-UP SEQUENCE

1. Turn spreader valve (10) anti-clockwise until fully wound out.
2. Turn the air flow valve (12) at the bottom clockwise until fully wound in.
3. With the hose connected, turn on the air supply.
4. Open the air flow valve (12) by turning anti-clockwise and trigger the spraygun (air only).

The gauge will show a reading in 0.05 bar [0.7 psi] increments.

The gauge will start reading at 0.2 bar [2.9 psi].

Adjust the flow valve until the required pressure value is displayed.

5. The gauge can be cleaned in a gun wash machine whilst attached to the spray gun.

However, please consult the manufacturer of the gun wash machine to ascertain suitability with this product.

NOTE

This gauge is suitable for use with both water-based and solvent based coating materials and cleaners. Please consult your gun washing machine supplier to confirm the suitability of this device being used in their equipment.

WARRANTY POLICY

This product is covered by Carlisle Fluid Technologies' materials and workmanship limited warranty. The use of any parts or accessories, from a source other than Carlisle Fluid Technologies, will void all warranties. Failure to reasonably follow any maintenance guidance provided, may invalidate any warranty.

For specific warranty information please contact Carlisle Fluid Technologies.

Carlisle Fluid Technologies is a global leader in innovative finishing technologies. Carlisle Fluid Technologies reserves the right to modify equipment specifications without prior notice.

DeVilbiss®, Ransburg®, MS®, BGK®, and Binks® are registered trademarks of Carlisle Fluid Technologies, Inc.

© 2018 Carlisle Fluid Technologies, Inc.

All rights reserved.

For technical assistance or to locate an authorised distributor, contact one of our international sales and customer support locations below.

Region	Industrial / Automotive	Automotive Refinishing
Americas	Tel: 1-888-992-4657 Fax: 1-888-246-5732	Tel: 1-800-445-3988 Fax: 1-800-445-6643
Europe, Africa, Middel East, India	Tel: +44 (0)1202 571 111 Fax: +44 (0)1202 573 488	
China	Tel: +8621-3373 0108 Fax: +8621-3373 0308	
Japan	Tel: +81 45 785 6421 Fax: +81 45 785 6517	
Australia	Tel: +61 (0) 2 8525 7555 Fax: +61 (0) 2 8525 7575	

For the latest information about our products, visit www.carlisleleft.com



SOLUTIONS FOR YOUR WORLD